



Alternative Fueling Solutions is a Veteran-Owned small Business situated in Alexandria, Indiana.

**AFS** specializes in the fabrication of innovative Autogas dispensers that are currently patent-pending, and offers installation and training services with each unit sold.

The distinctiveness of these units lies in their modular design and ease of maintenance for service providers, while their elegant and straightforward design ensures user-friendliness for customers.

**AFS** has a production capacity of 30 units per month, which can be increased to a maximum of 60 units with a 30-day notice.

Each unit is manufactured and constructed locally. Once completed, the units are partially disassembled and packaged for nationwide shipping. **AFS** professionals are responsible for reassembly and functionality of units at their final destination.

**AFS** provides maintenance training for service providers as well as user training for customers.

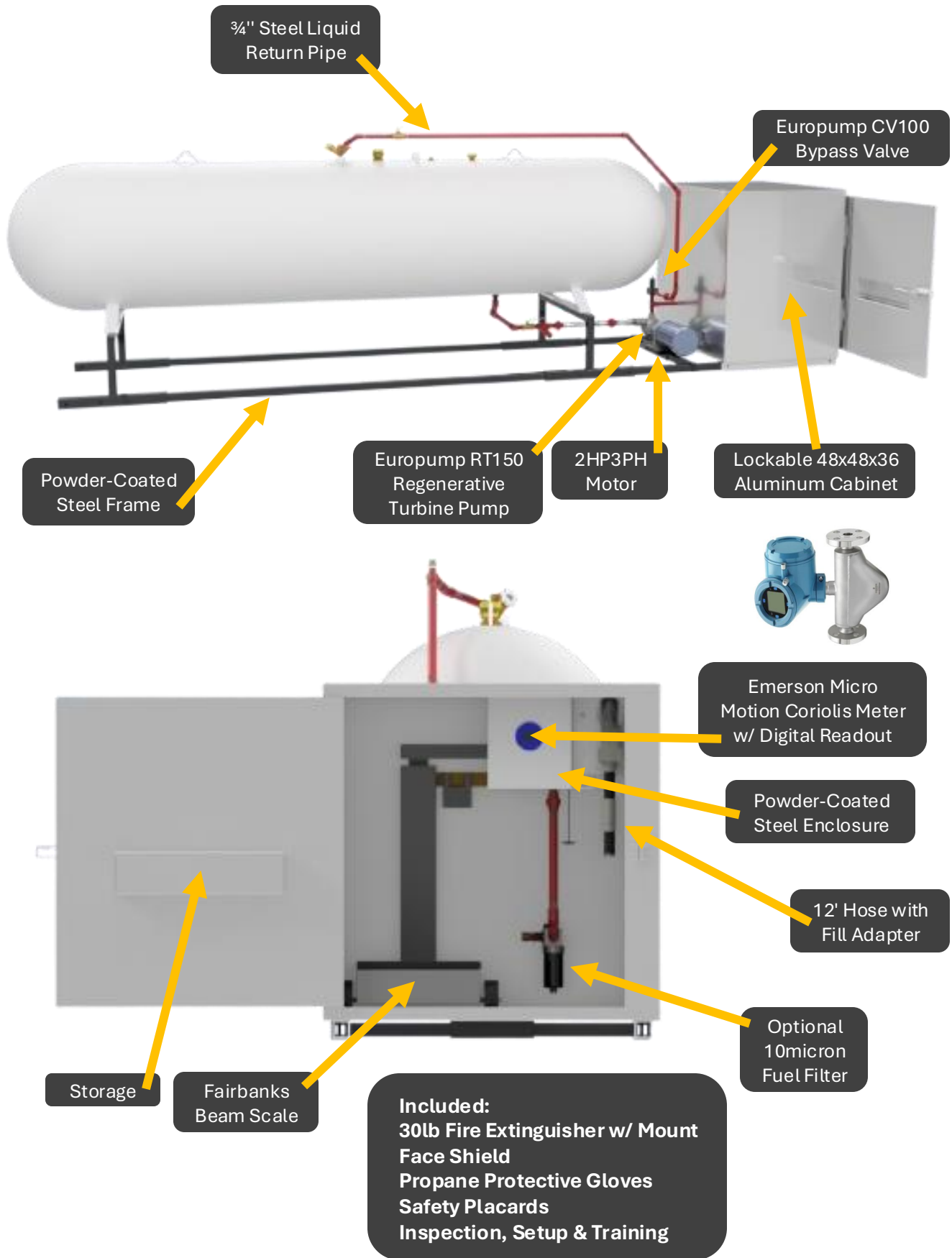
**AFS** is a partner of **Europump International**, a European manufacturer and global distributor of LPG, CNG and automation equipment since 1994. **AFS** dispensers feature **Europump International's** RT150 Regenerative Turbine Pumps, Bypass Valves, Fuel Filters and R500 Electronic Registers with Cloud Based Fuel Management.

**AFS** holds sole distribution rights for **Europump International's** line of products for the United States and Canada.



# VHCF\_C3H8 Cylinder Fill Dispensers

**\*Emerson Micro-Motion Meter w/ Digital Readout**



**\*Complete plumbing with all fittings, strainer, valves & gauges. No Vapor Return Line Needed**

# V2CF\_C3H8 Cylinder Fill Dispensers

**\*Emerson Micro-Motion Meter w/ Digital Readout**

**Standard Equipment**  
Emerson Micro Motion Meter  
CV100 Bypass Valve  
12' 1/2" Hose w/ ACME Fitting  
1000lb Fairbanks Beam Scale



2HP3PH  
Motor

**Included:**  
30lb Fire Extinguisher w/ Mount  
Face Shield  
Propane Protective Gloves  
Safety Placards  
Inspection, Setup & Training

Lockable 48x48x36  
Aluminum Cabinet

Europump RT150  
Regenerative  
Turbine Pump

Powder-Coated  
Steel Frame

**\*Complete plumbing with all fittings, strainer, valves & gauges. No Vapor Return Line Needed**

# VP2S Off-Grid Plug N' Play Power Solution 1PH/3PH 220V & 24VDC



NEMA rated Steel Enclosure  
Allen Bradley Variable Frequency Drive  
Allen Bradley 24VDC Converter  
Allen Bradley Safety Contactor



30W Solar Panel

Lift Points

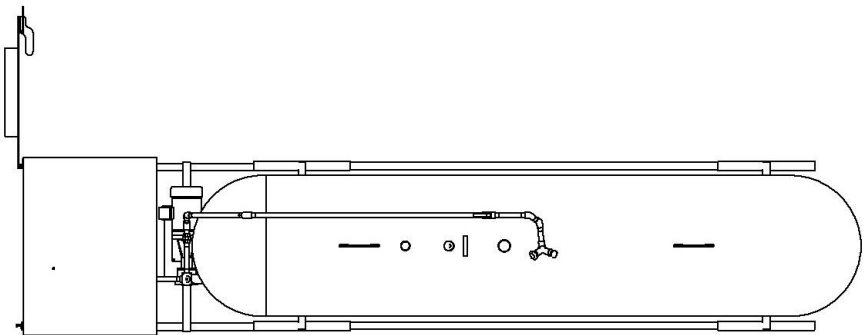
10K Air Cooled  
Generac Generator

Powder-Coated Steel

# VEPD\_C3H8 BOBTAIL METERING SYSTEM



**TOP**



5

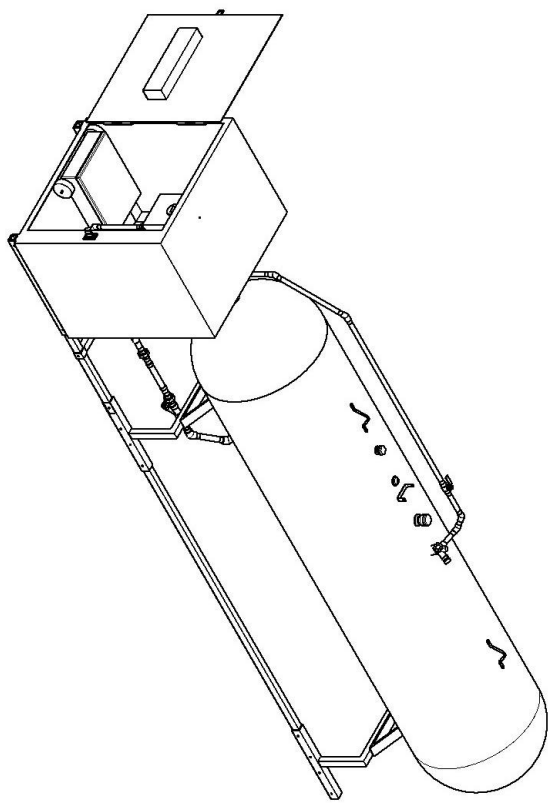
7

4

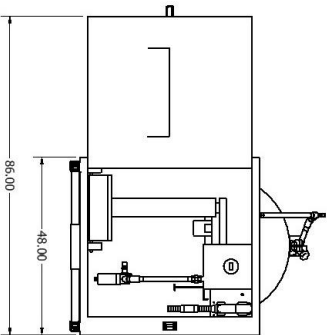
6

3

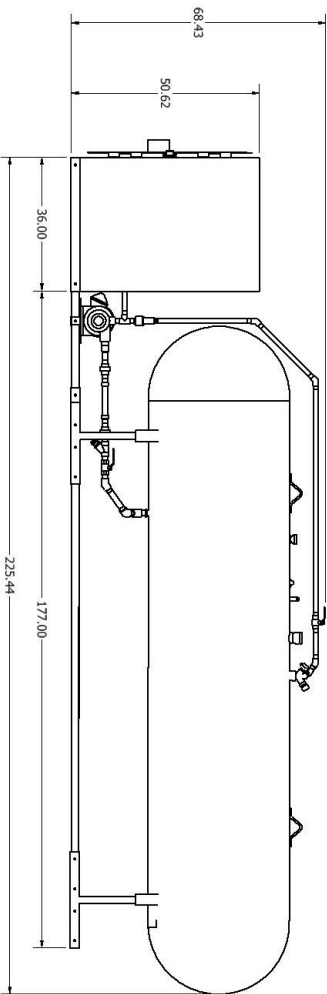
5



**FRONT**



**SIDE**



Dimension in Inches

7

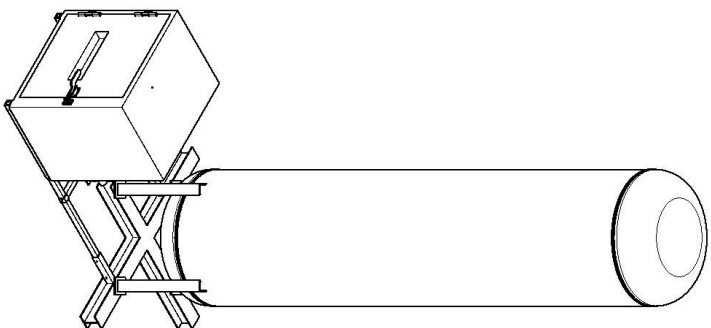
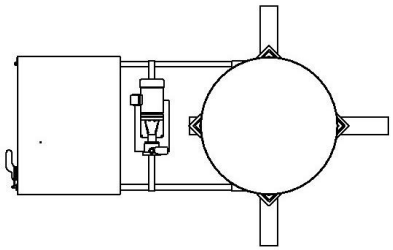
6

5

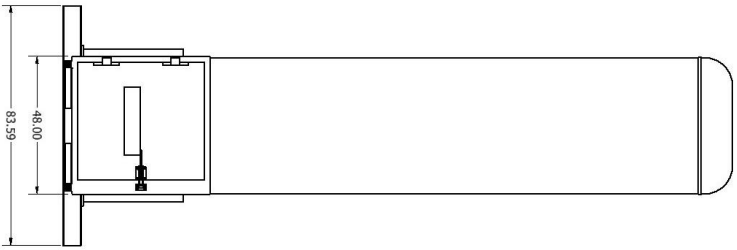
4

3

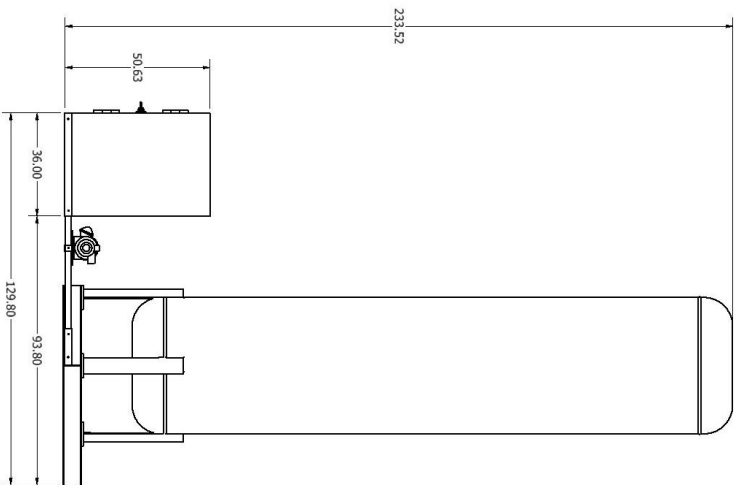
**TOP**



**FRONT**



**SIDE**



Dimension in Inches



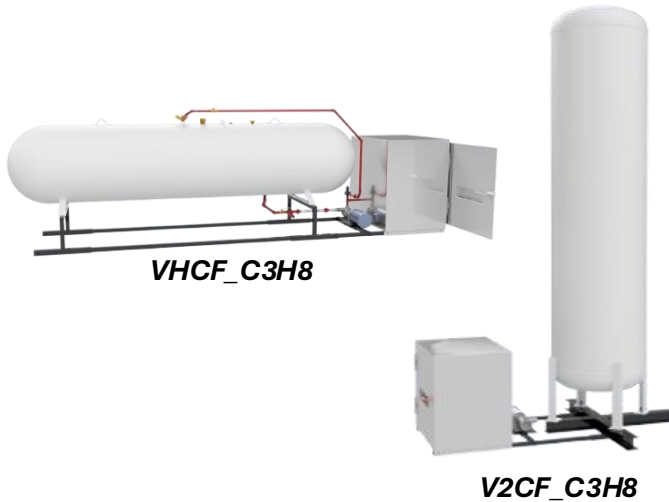




**VPA\_C3H8\***

1000-1990GAL PATENT PENDING FRAME  
 STEEL CENTER CONSOLE, POWDER COATED  
 2HP3PH MOTOR  
 RT150 REGENERATIVE TURBINE PUMP  
 EUROPUMP R500 REGISTER  
 EMERSON MICROMOTION METER  
 10 MICRON FUEL FILTER  
 HOSE RETRACTOR W/ 18' HOSE  
 PNEUMATIC E-OFF  
 36 X 48 STEEL CANOPE  
 FIRE EXTINGUISHER  
 SETUP & TRAINING

\*Customer Supplies Vessel



**VHCF\_C3H8 or V2CF\_C3H8\***

1000-1990GAL PATENT PENDING FRAME  
 ALUMINUM CABINET  
 2HP3PH MOTOR  
 RT150 REGENERATIVE TURBINE PUMP  
 EMERSON MICROMOTION METER W/ DISPLAY  
 12' HOSE W/ CYLINDER FILL ATTACHMENT  
 COMPLETE PLUMBING WITH ALL FITTINGS, STRAINER,  
 VALVES & GAUGES  
 CABLE ACTUATED E-OFF  
 FIRE EXTINGUISHER  
 FACE SHIELD & GLOVES  
 SETUP & TRAINING

\*Customer Supplies Vessel



**ADD-ON EQUIPMENT**

**FUELING PEDESTAL**

POWDER-COATED STEEL  
 R500 BRACKET  
 EURO NOZZLE RECEPTACLE  
 EMERSON METER BRACKETS



**OPTIONAL EQUIPMENT**

**POWER PANEL, PLUG N' PLAY**

FREQUENCY DRIVE (ALLEN BRADLEY)  
 24V POWER INVERTER  
 E-OFF PUSH BUTTON



**MONTHLY SERVICES**

**CLOUD-BASED FUEL MANAGEMENT**

\$85 MONTHLY PORTAL ACCESS  
 PORTAL MAINTENANCE & UPDATES



**VP2S**

*PLUG N' PLAY OFF-GRID POWER SOLUTION  
SET ANYWHERE POWDER COATED STEEL SKID  
10K GENERAC GENERATOR  
1PH OR 3PH VFD  
POWER CONVERTER  
220V & 24VDC  
SOLAR PANEL BATTERY TRICKLE CHARGE  
NEMA ENCLOSURE POWER PANEL*



**VEPD\_C3H8\***

*BOBTAIL FLOWMETER SYSTEM  
EMERSON DN25 MICRO-MOTION METER  
R500 DIGITAL REGISTER  
LC STRAINER  
LC AIR ELIMINATOR  
LC DIFFERENTIAL VALVE W/ ASCO VALVE*

*\*SHOWN WITH STRAINER, AIR ELIMINATOR, CORIOLIS METER,  
R500 ELECTRONIC REGISTER & DIFFERENTIAL VALVE*



**BELOW EQUIPMENT ON DISPLAY AT THE 75TH ANNIVERSARY WPGA EXPO  
RENO 12-16MAY 2025**

